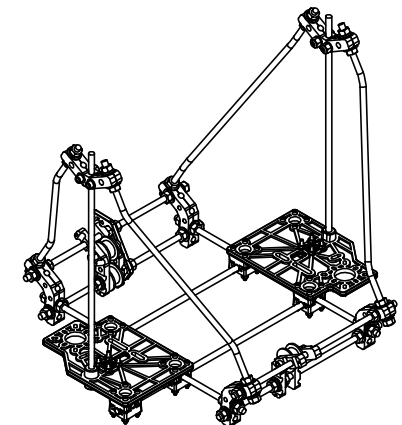


ITEM NO.	PartNo	DESCRIPTION	QTY.
1	71582	Z Axis Base Sub Assembly	1
2	71580	Front Base Sub Assembly	1
3	71581	Rear Base Sub Assembly	1
4	71523	1/4-20 x 13"L Threaded Rod - Bend to Fit	4
5	71501	Bar Clamp 60 Degree	4
6	71520	1/4"Dia x 12"L Linear Rail	2
7	30001	10-32 x 1"L Socket Head Cap Screw Stainless Steel	4
8	30160	10-32 Nylon Lock Nut Stainless Steel	4
9	30500	#8 SAE Flat Washer	8
10	30512	1/4 SAE Flat Washer	24
11	30513	1/4 Split Lock Washer	12
12	30156	1/4-20 Finish Nut	24



NOTE:  
 Notice only 1/4 SAE Flat Washers and 1/4-20 Finish Nut toward inside of assembly. Only 1/4 split lock washers on outside of assembly.

PROJECT: SeeMeCNC H-1		
TITLE: Frame Assembly		
SIZE <b>A</b>	DWG. NO. 71583	REV 1
©2012 SeeMeCNC™		

5

4

3

2

1