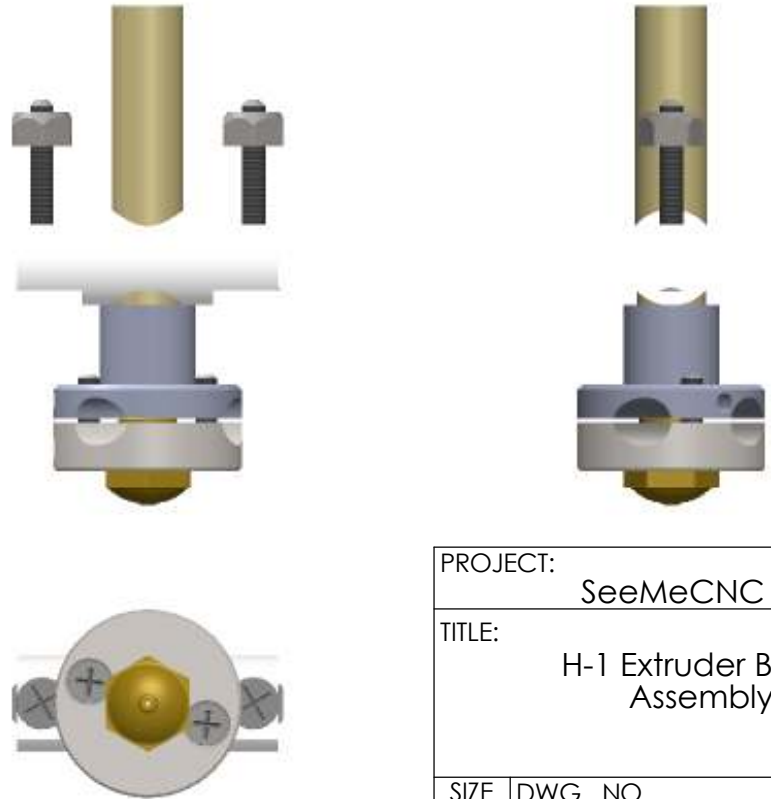
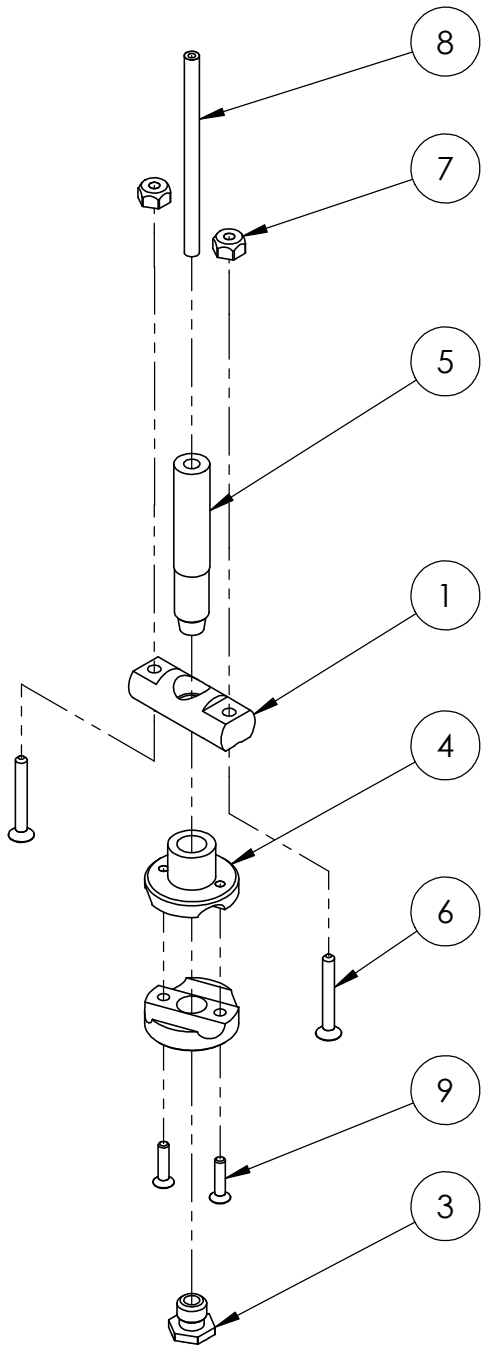


ITEM NO.	PartNo	DESCRIPTION	QTY.
1	71554	Extruder Nozzle Mount	1
2	71547	Heater head	1
3	71552	Extuder Nozzle .020"Dia	1
4	71548	Heater Clamp	1
5	71556	Feed Tube Insulator	1
6	30132	6-32 x 1"L Phillip Flat Head Stainless Steel	2
7	30164	6-32 Nylon Lock Nut	2
8	71557	Teflon Tube	1
9	30233	4-40 x 1/2"L Phillip Flat Head Stainless Steel	2



PROJECT: SeeMeCNC H-1		
TITLE: H-1 Extruder Barrel Assembly		
SIZE A	DWG. NO. 71574	REV 1
©2012 SeeMeCNC™		

5

↑

4

3

2

1