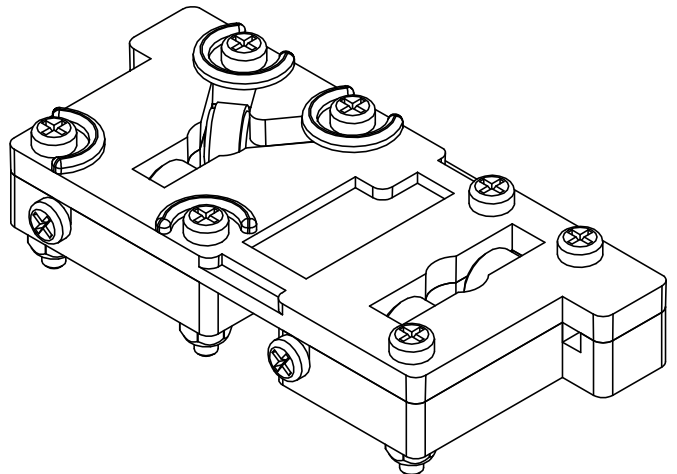
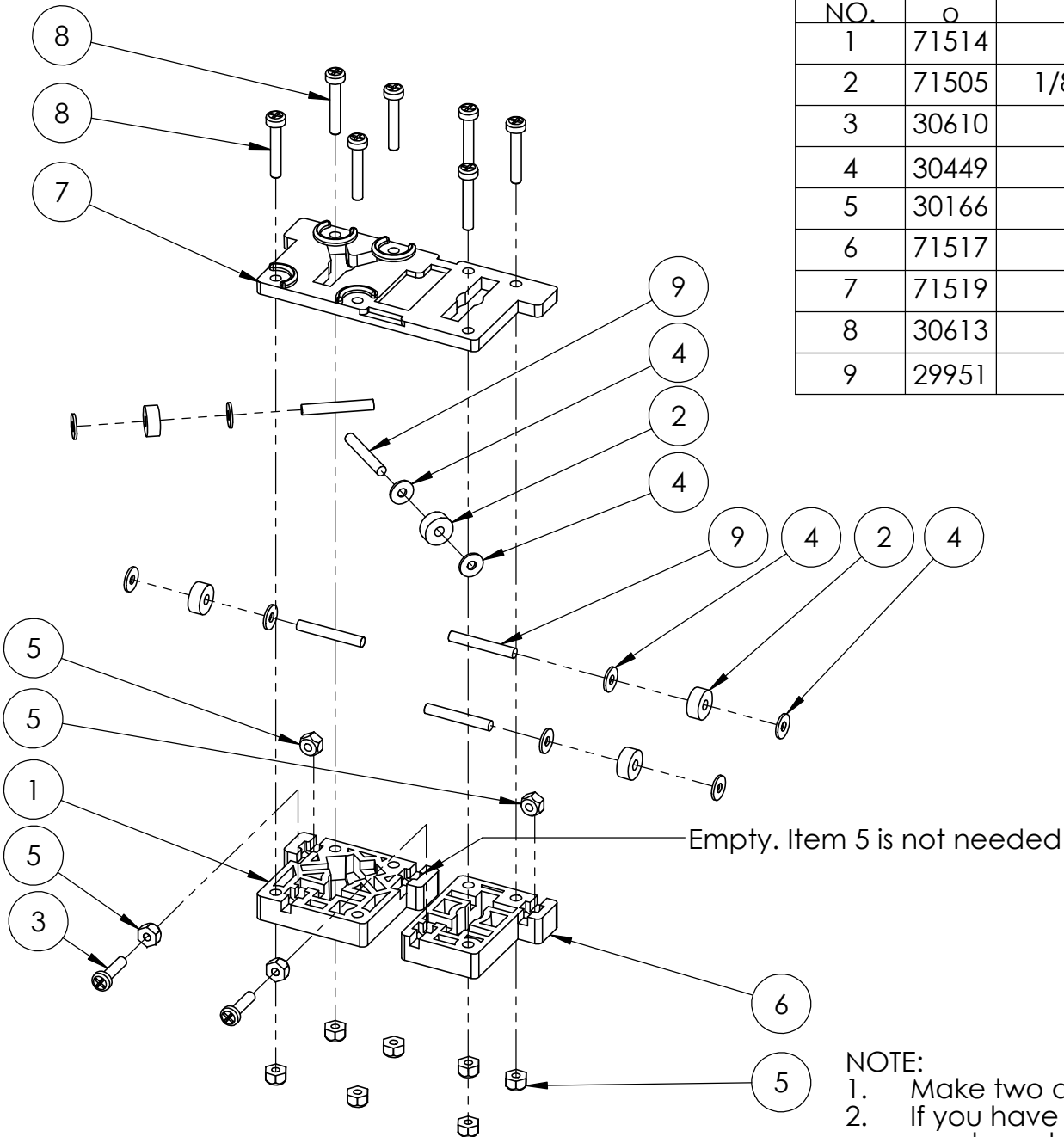


ITEM NO.	Part No.	DESCRIPTION	QTY.
1	71514	Triple Bearing Support	1
2	71505	1/8"ID x 3/8"OD x 0.156"W Plastic Bearing	5
3	30610	5-40 x 1/2"L Phillip Pan Head Screw	2
4	30449	No 4 SAE Washer	10
5	30166	5-40 Nylon Lock Nut Stainless Steel	11
6	71517	Double Bearing Support	1
7	71519	Combo Bearing Cover	1
8	30613	5-40 x 3/4"L Phillip Pan Head Screw	7
9	29951	1/8"Dia x 7/8"L Plastic Dowel Pin	5



NOTE:
 1. Make two assemblies.
 2. If you have purchased metal ball bearings, replace item 3

PROJECT: SeeMeCNC H-1		
TITLE: Combo Bearing Sub Assembly For X Carriage		
SIZE A	DWG. NO. 71577	REV 1
©2012 SeeMeCNC™		

5 4 3 2 1